

TACTICAL VEHICLE TOW BARS



HMMWV Tow Bar - Tow Capacity: Up to 17,500 lbs WLL



Medium Tow Bar - Tow Capacity: Up to 44,000 lbs WLL



SIMPLE TO DEPLOY

Ibis Tek is a leading supplier of tactical vehicle tow bars for the U. S. Military. Our lightweight tow bars are easily installed and feature telescoping tubes for compact storage.

Tow capacities up to 44,000 lb WLL (Medium Tow Bar) and 17,500 lb WLL (HMMWV Tow Bar)

Simple connection to pintle of towing vehicle and front lifting shackles of towed vehicle

Deployment does not interfere with other vehicle accessories

TACTICAL VEHICLE TOW BARS

SPECIFICATIONS

HMMWV TOW BAR

Aluminum Construction with Black Powder Coating

Steel Telescopic Arm

Safety Chains

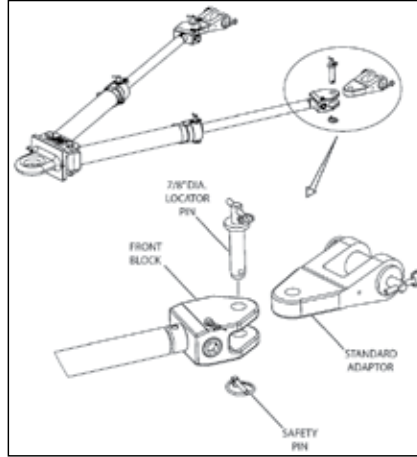
MEDIUM TOW BAR

Black Anodized Aluminum Construction

Steel Telescopic Arm

Stainless Steel Wear Ring (pintle)

Nylon Carrying Strap



HMMWV Tow Bar Kit includes tow bar, pins, safety chains, stowing strap and cam strap.

Medium Tow Bar requires adaptors for vehicle specific mounting brackets.

	HMMWV Tow Bar	Medium Tow Bar
Max. Capacity (WLL)	17,500 lbs	44,000 lbs
Safety Factor	1.5	1.5
Weight	60 lbs	65 lbs
Length (Storage)	38.1"	40.0"
Length (Extended)	53.4"	62.2"
Tow Angle	30° (rated capacity)	36° (rated capacity) Up to 180° (de-rated capacity)

PART NUMBERS

	Description	Weight (lbs/kgs)
2509-400-001	HMMWV Tow Bar	72/32.7
2509-500-001	Replacement Safety Kit*	1.8/0.8
2509-300-001	Tow Bar Holder - Rear*	22/10
2509-800-001	Tow Bar Holder - Front*	22/10
2509-900-001	Tow Bar Holder - ESC*	22/10
2512-100-001 NSN: 2540-01-577-3683	Medium Tow Bar	65/29.5
2512-100-002 NSN: 2540-01-577-3988	Adaptor Kit, MATV (Std NATO) (requires 2 per vehicle)	6/2.7
2512-100-009	Adaptor Kit, HMMWV (D-ring) (requires 2 per vehicle)	7/3.2

IBIS TEK

912 Pittsburgh Road | Butler, PA 16002

P: 724.586.6005 | F: 724.586.6010

E: info@ibistek.com

www.ibistek.com